

GENERAL

CLASSIFICATION: Stairlift
MODEL: H1100
CAPACITY: 140 kg/308 lbs (25°-45°)
 130 kg/286 lbs (45°-50°)
SPEED: 0.08 m/s [15 ft/min]
POWER SUPPLY(IN): 100 – 240 V~,
 50/60 Hz, 1,0 A max
POWER SUPPLY(OUT): 33.0 V= 1,0 A
DRIVE SYSTEM: Friction drive
APPLIED CODE: A18.1 Section 7 (Private)

ANCHORING

WOODEN THREAD:
 Anchor each bracket set using a minimum of
 4 x 0.25"x1.77" (wooden screws).
REINFORCED CONCRETE:
 Anchor each bracket set using a minimum of
 4 x 0.25"x1.77" (screws) + 4 x 0.31" plugs.
BRACKET POSITION: on first step
 on last step for joint
 on first step after joint
 on last step

TECHNICAL DATA MOTOR

NOMINAL VOLTAGE: 24V DC
NOMINAL TORQUE: 6 Nm
NOMINAL SPEED: 48 RPM
OUTPUT POWER: 30 W
DUTY TYPE: 3S (6 MIN - 30%)
NO LOAD SPEED: 52 RPM ± 9.6%
NO LOAD CURRENT: 0.9 A ± 33%
GEAR WHEEL RATIO: 1:69

OPTIONS

SIDE OF INSTALLATION: Left Right
QTY OF RAIL SECTION: (92.5" each)
CARPET SPACER: Yes
POWERED SWIVEL: Yes
POWERED FOOTREST: Yes
ZERO INTRUSION: Yes
SLIDE TRACK: Yes
HINGE: Yes No
ONE TOUCH ALERT: Yes
ON/OFF SWITCH: Yes
VELCRO BELT: Yes

SPECIFICATIONS

ANGLE OF STAIRCASE: 25° to 50°
LENGTH OF STAIRWAY: max 278"
LOCATION: Indoor
SEAT COVERING: Flame retardant fabric
COLOR: Vanilla beige
CALL STATION: IR Remotes
SAFETY FEATURE: 4 Wheel drive system

CONTROLLER

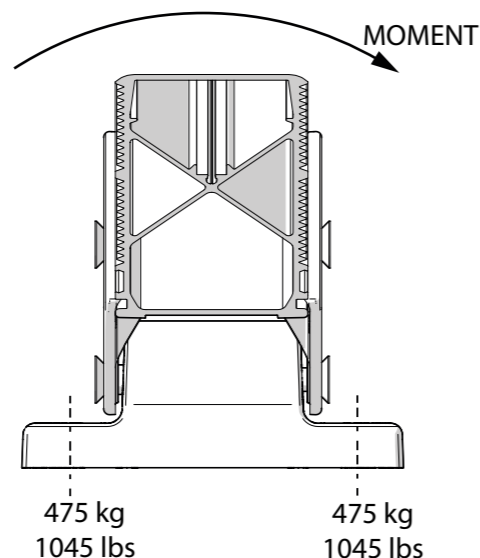
SUPPLIER: Connect
MODEL: 1100 V3.5
VERSION: AA15434_21

PROJECT INFORMATION

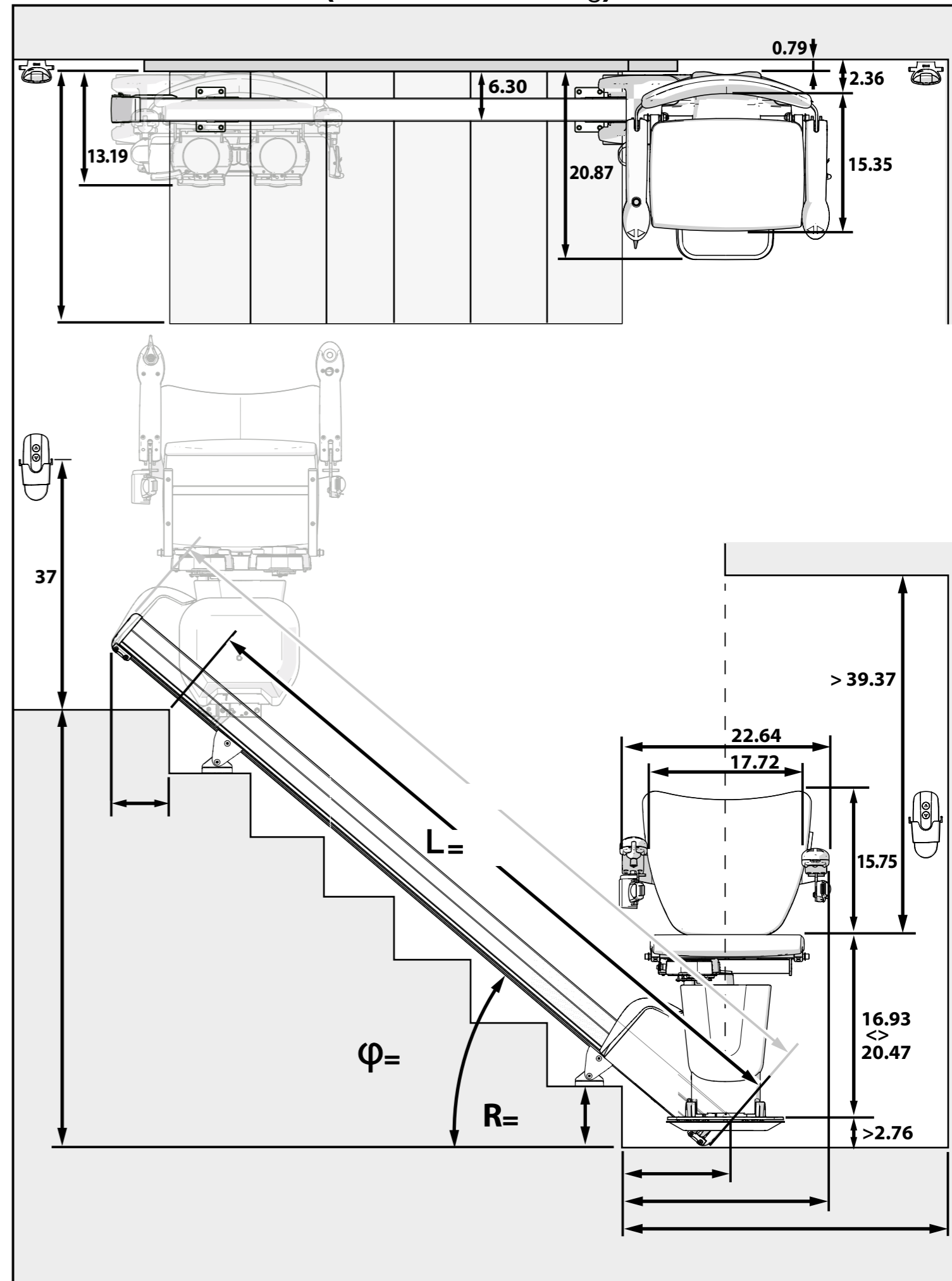
PROJECT:
DATE:
CUSTOMER:
ADDRESS:

SUPPORT LOAD

MAXIMUM: reaction acting on each bracket



HANDICARE 1100 (footrest flush landing)



AA31195_11_310325